



**YPL**  
STREET FURNITURE

Tel. +44 (0)1977 600999  
Fax. +44 (0)1977 600555

Email. [sales@ypl-streetfurniture.co.uk](mailto:sales@ypl-streetfurniture.co.uk)  
Web. [www.ypl-streetfurniture.co.uk](http://www.ypl-streetfurniture.co.uk)

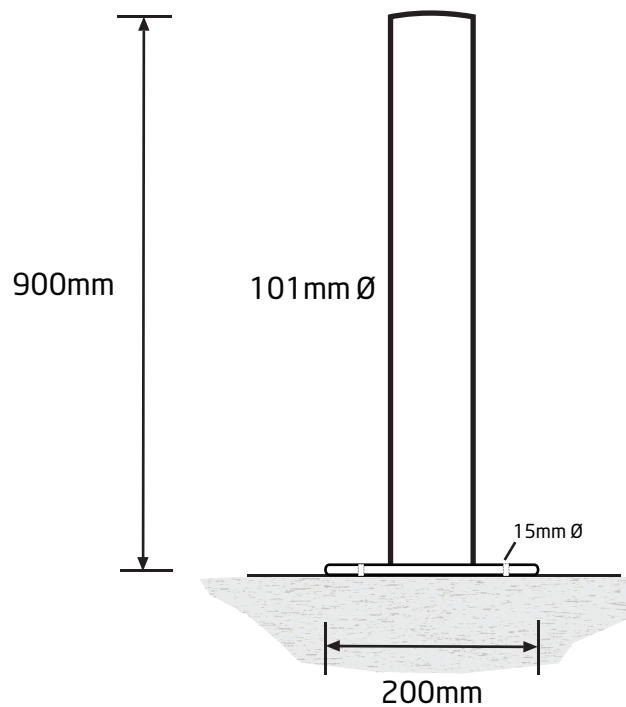
## product specification

code

**YPL553**

description

Zirconium Semi Dome Top  
Surface Mounted Bollard.



## details

This is part of our Highly Polished Stainless Steel Omega Range these look excellent in all environments. Set at 1 Meter high and with a 101.6mm outside diameter and a semi dome top (Other tops are available in this range). Ideal in a whole range of applications suitable for bolting down to various surfaces. The extra smooth surface finish enhances the benefits of Stainless Steel. These are manufactured in Grade 304 and are very low maintenance.

## notes

