



YPL
STREET FURNITURE

Tel. +44 (0)1977 600999
Fax. +44 (0)1977 600555

Email. sales@ypl-streetfurniture.co.uk
Web. www.ypl-streetfurniture.co.uk

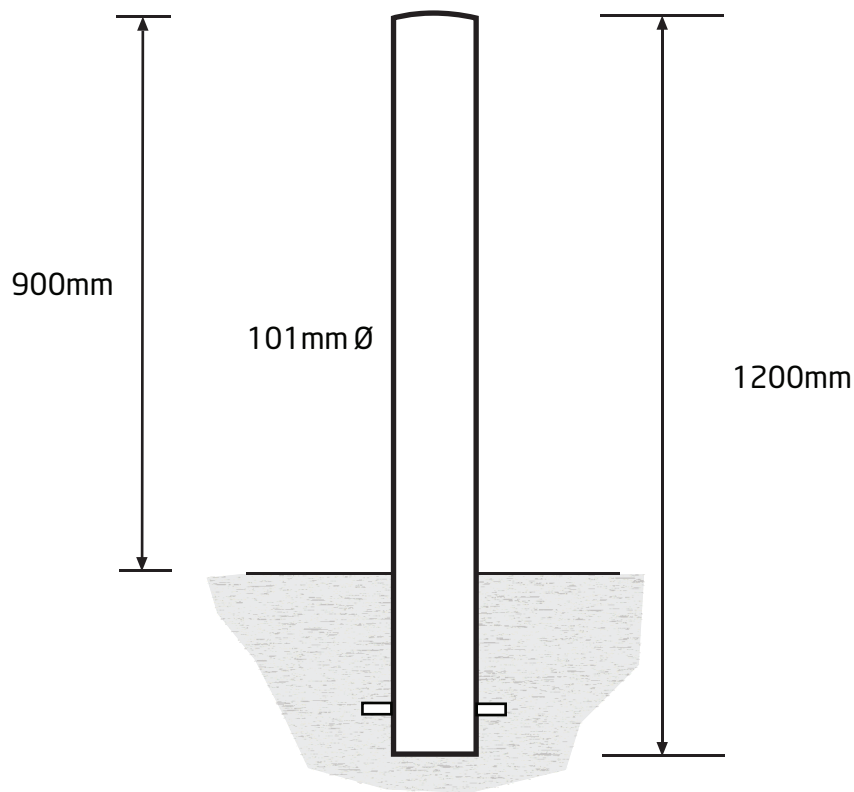
product specification

code

YPL560

description

Omega Semi Dome Top Root Fixed Bollard.



details

Available surface mounted complete with a baseplate for bolting down
Zirconium (Satin Polish) & Omega (Bright polish) Finishes available.
Reflective bands can be applied on request
YPL offers options to modify any bollard to be anti ram or removable,
please ask our sales team for details.
Options in grade 304 & 316

notes

