



YPL
STREET FURNITURE

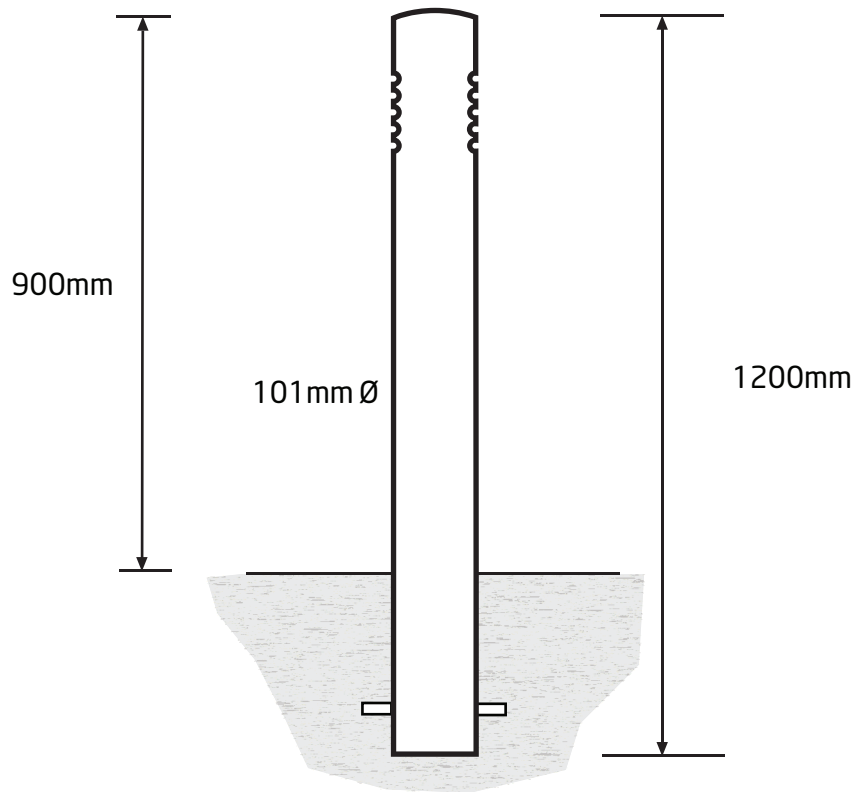
Tel. +44 (0)1977 600999
Fax. +44 (0)1977 600555

Email. sales@ypl-streetfurniture.co.uk
Web. www.ypl-streetfurniture.co.uk

product specification

code **YPL572**

description **Multi Groove Bespoke Range**



details

The Bollard is presented in Grade 304 with a 114.3mm outside diameter and has a Zirconium finish, it has machined grooves into the Stainless Steel Body. This bollard offers very low maintenance and all the benefits of Stainless Steel. Our bespoke range is available specific to your requirements also available in Omega finish and to any length or diameter required.

notes

