



YPL
STREET FURNITURE

Tel. +44 (0)1977 600999
Fax. +44 (0)1977 600555

Email. sales@ypl-streetfurniture.co.uk
Web. www.ypl-streetfurniture.co.uk

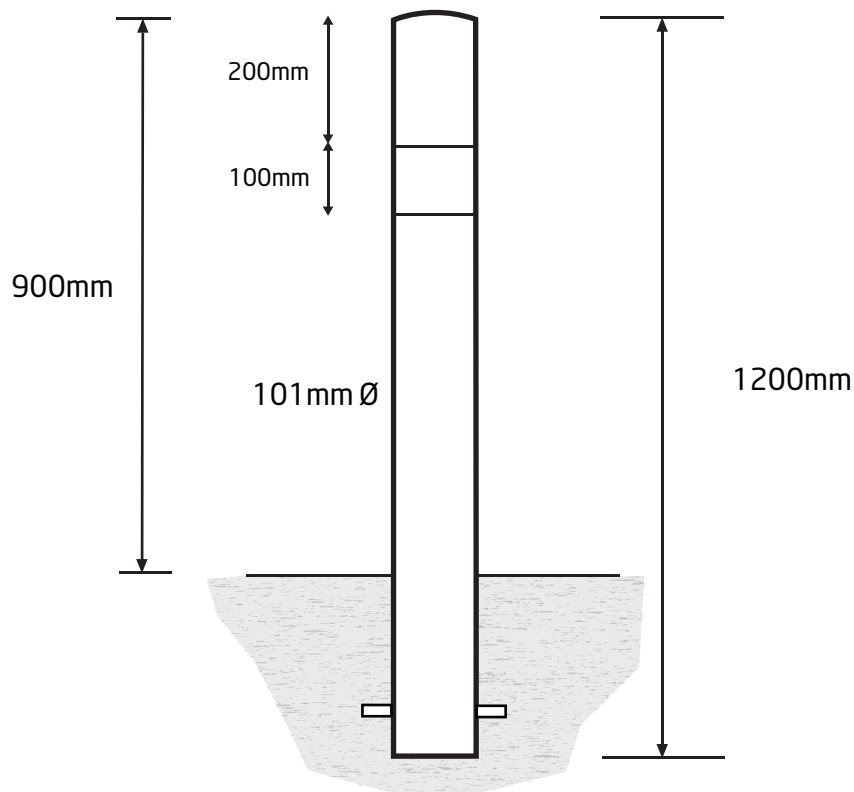
product specification

code

YPL573

description

Zirconium Powder Coated
Bollard



details

This is part of our popular Zirconium range polished to a Satin finish. Set at 1.2 Meter high with a 101.6mm outside diameter and a semi dome top (Other tops are available in this range). Ideal for a whole range of applications where reflectivity is necessary. Manufactured in Stainless Steel in Grade 304, the bollard benefits from the clean look of Stainless Steel and is very low maintenance. Double bands can be offered and a whole variety of coloured reflective tape is available.

notes

