



YPL
STREET FURNITURE

Tel. +44 (0)1977 600999
Fax. +44 (0)1977 600555

Email. sales@ypl-streetfurniture.co.uk
Web. www.ypl-streetfurniture.co.uk

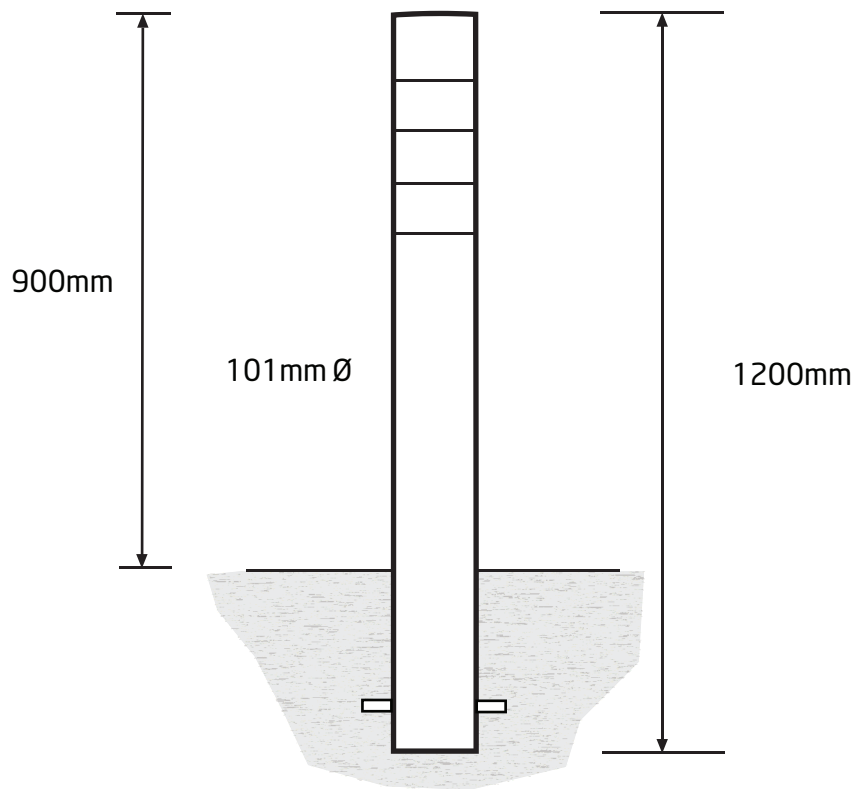
product specification

code

YPL579

description

Omega Band Bespoke Range



details

The Bollard is presented in Grade 304 with a 139.7mm outside diameter and has a Zirconium finish with two Omega bands onto the Stainless Steel Body. The top in this case is a flat top any tops are available in the bespoke range. It offers very low maintenance and all the benefits of Stainless Steel.

notes

