



**YPL**  
STREET FURNITURE

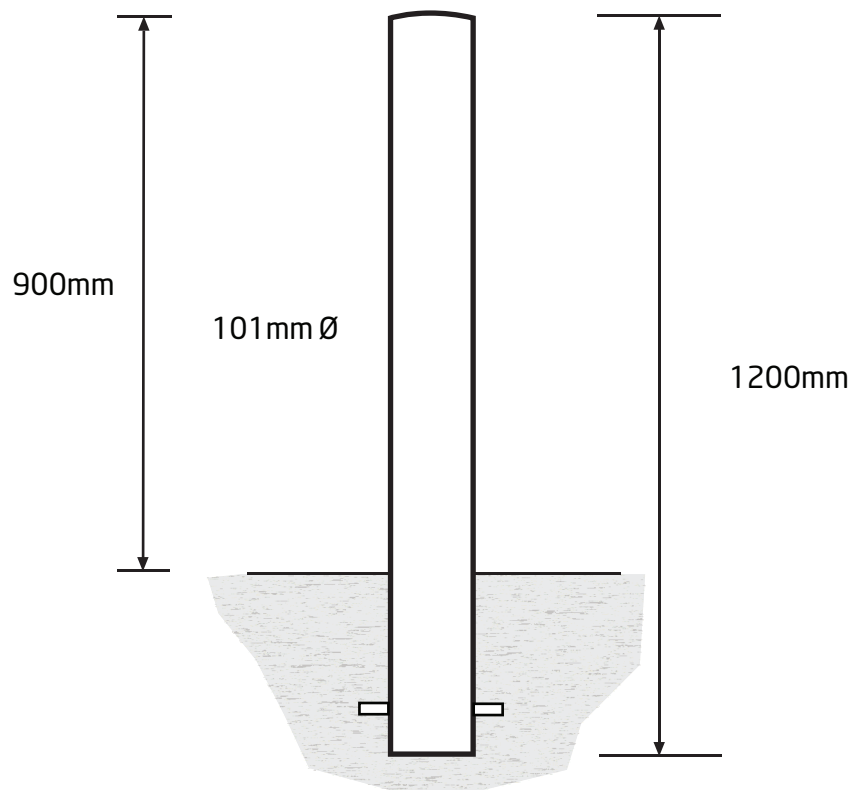
Tel. +44 (0)1977 600999  
Fax. +44 (0)1977 600555

Email. [sales@ypl-streetfurniture.co.uk](mailto:sales@ypl-streetfurniture.co.uk)  
Web. [www.ypl-streetfurniture.co.uk](http://www.ypl-streetfurniture.co.uk)

## product specification

code **YPL599**

description Zirconium Semi Dome Top  
Root Fixed.



## details

Available surface mounted complete with a baseplate for bolting down  
Zirconium (Satin Polish) & Omega (Bright polish) Finishes available.  
Reflective bands can be applied on request  
YPL offers options to modify any bollard to be anti ram or removable,  
please ask our sales team for details.  
Options in grade 304 & 316

## notes

