



YPL
STREET FURNITURE

Tel. +44 (0)1977 600999
Fax. +44 (0)1977 600555

Email. sales@ypl-streetfurniture.co.uk
Web. www.ypl-streetfurniture.co.uk

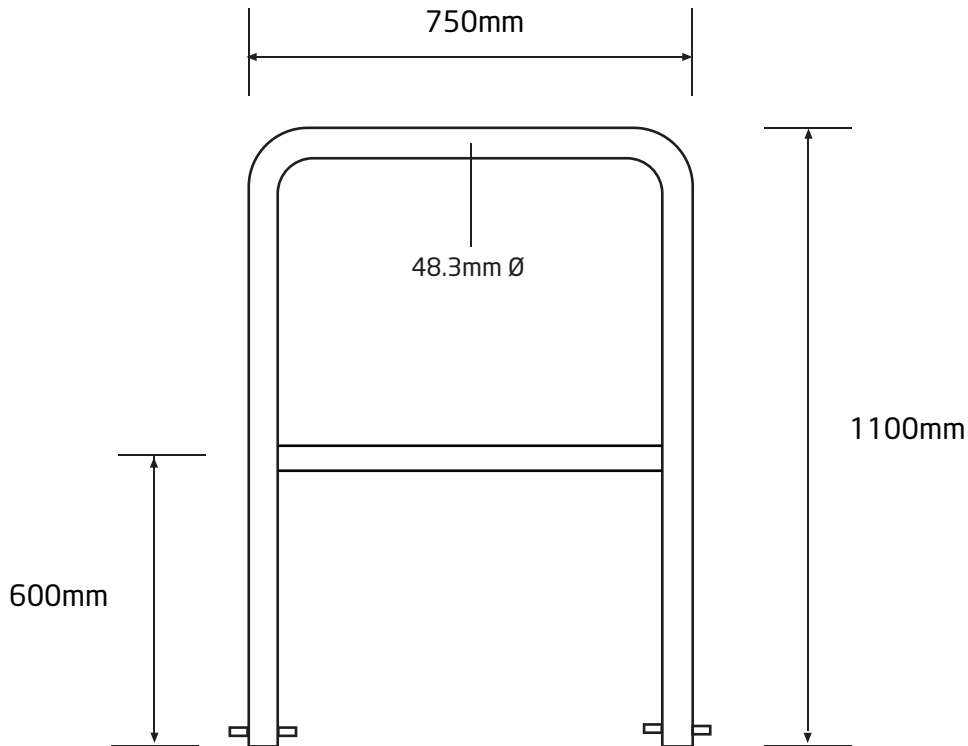
product specification

code

YPL660

description

Tapping Rail Cycle Stand



details

- Available surface mounted complete with a baseplate for bolting down
- Reflective bands can be applied on request
- Tapping rails can be applied on request
- Zirconium (Satin Polish) & Omega (Bright polish) Finishes available.
- Options in grade 304 & 316

notes

