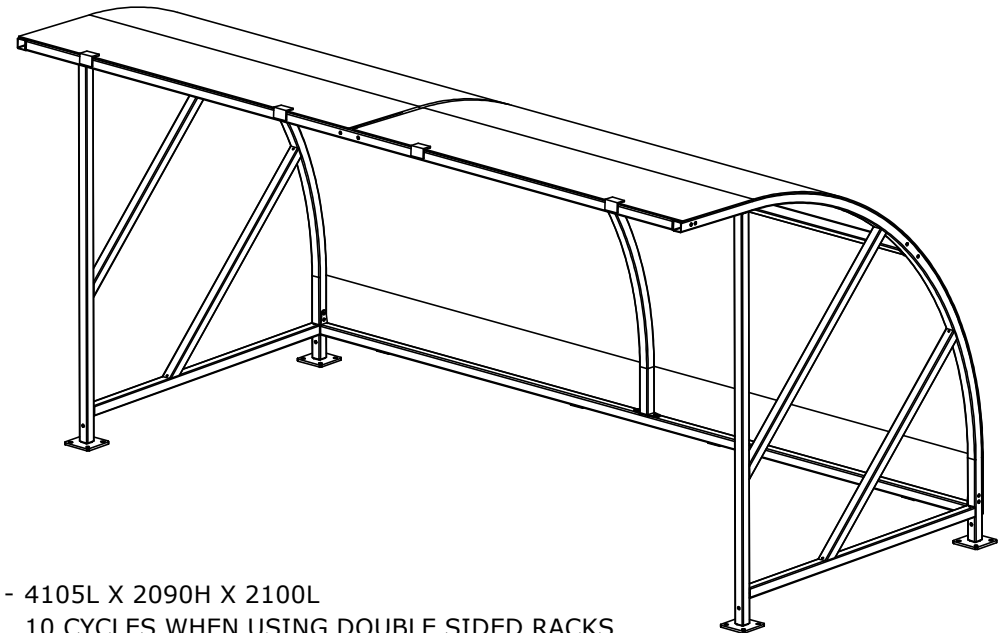
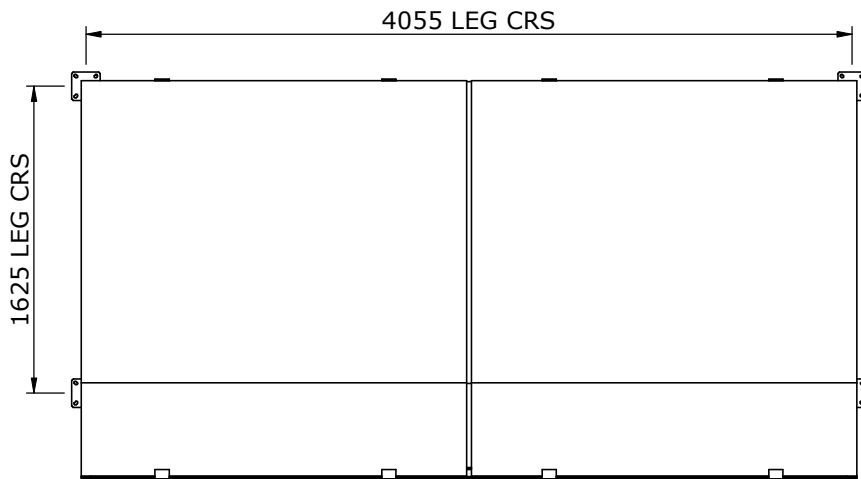


AS STANDARD

- HEAVY DUTY STEEL FRAME
- ADJUSTABLE FEET
- 4mm UV PETG CLADDING
- GALVANISED TO BS EN ISO 1461

OPTIONS

- POWDER COATED TO A CHOICE OF COLOURS
- 4mm END UV PETG PANELS



DIMENSIONS:- 4105L X 2090H X 2100L

CAPACITY :- 10 CYCLES WHEN USING DOUBLE SIDED RACKS